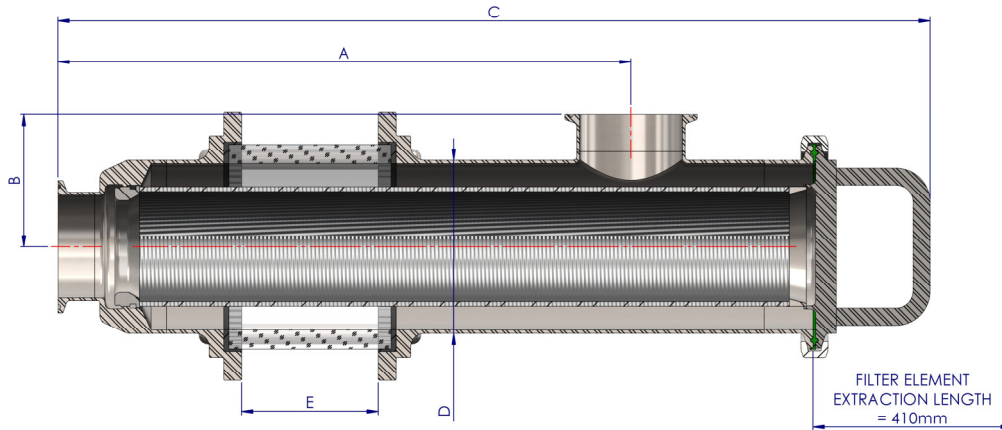


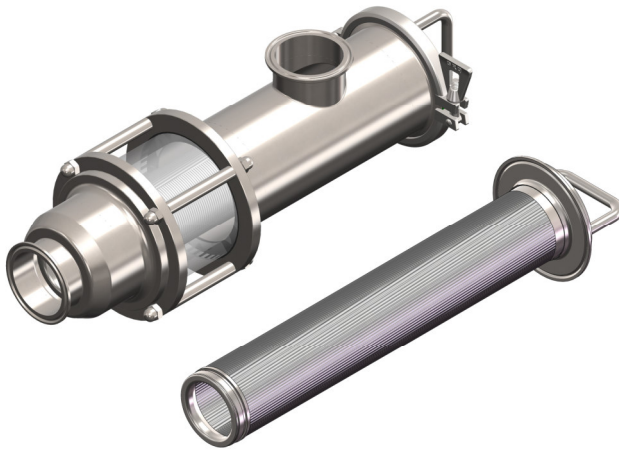
Pure Screen Filters

Visi-Screen 100 - 90° Version - Clamp Ended



Pure Screen Filter - Visi Screen 100 - 90° Version - Clamp Ended

Inlet / Outlet Size (inch)	A (mm)	B (mm)	C (mm)	D (mm)	E (mm)	Max Op. Pressure (bar) @ 100°C
1.00"	335	77	511	101.6	80	8
1.50"	335	77	511	101.6	80	8
2.00"	335	77	511	101.6	80	8
2.50"	342	77	518	101.6	80	8
3.00"	342	84	518	101.6	80	8
4.00"	342	84	518	101.6	80	8



Element Screen Options

Micron Rating (µm)	Gap (mm)	Open Area (mm ²)
50	0.05	4,000
100	0.01	7,600
250	0.25	16,600
500	0.50	20,800
1000	1.00	33,200
2000	2.00	43,700

*Many other options available

Technical Data

Material	316L Stainless Steel
Seal Materials	EPDM
Viewing Cylinder	Borosilicate Glass 3.1
Finish	0.8Ra Internal Welds Removed / Welds Left As Laid Pickled & Brushed External
Flow Rates	Up to 40,000 lph at 1 bar ΔP with Water.
Operating Temperature	150°C with EPDM Seals as Standard. Up rated To 250°C with FKM Seals On Request
Connection Options	Tri-Clamp / Weld Ended / RJT / IDF / DIN11851 / DIN11853 / SMS
Certification	2.2 / 3.1 & FDA Certification As Standard. Surface Finish Report & Pressure Certificates On Request
Options	Full Customizable, Length, Size, Orientation, Materials of Construction, Jacketed, Drain Valve

Published Data Is Given in Good Faith. We Reserve the Right To, Without Warning Change the Dimensions When Not In Conflict With The Published Standard

Axium Process Limited

Hendy Industrial Estate, Hendy, Swansea, SA4 0XP, United Kingdom

[T] 01792 883882 - [e] info@axiumprocess.com - [w] www.axiumprocess.com

