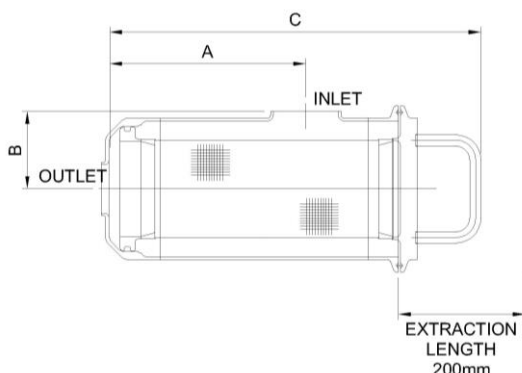


8457 - Fine Screen Compact Filter – 100 Series – 90°



Nominal Size	Plain Ended			Clamp			RJT (M/M)			DIN (M/M)			IDF (M/M)			SMS (M/M)		
	A	B	C	A	B	C	A	B	C	A	B	C	A	B	C	A	B	C
1"	141	56	276	162	77	297	163	78	298	170	85	305	162	77	297	156	71	291
1 ½"	141	56	276	162	77	297	163	78	298	174	89	309	162	77	297	161	76	296
2"	141	56	276	162	77	297	163	78	298	176	91	311	162	77	297	161	76	296
2 ½"	141	56	276	169	84	304	163	78	298	181	96	316	162	77	297	165	80	300
3"	141	56	276	169	84	304	163	78	298	186	101	321	162	77	297	165	80	300
4"	141	56	276	169	84	304	163	78	298	195	110	330	171	86	306	171	86	306

Technical Data	
Material:	316L Stainless Steel contact parts
Finish:	0.8µm Ra (external) / 0.4µm Ra (internal), other surface finishes available
Flow Rates:	Up to 10,000 l/hr at 1 Bar ΔP with pure water, depending on size, loading and pressure drop
Pressures:	Up to 10 bar operating pressure / 5 bar backflushing pressure (5–75µm) Recommended maximum ΔP 4 bar
Operating Temperature:	Up to 250°C, dependent upon cap seal material
Cap Seal:	Viton® as standard (EPDM, silicone, nitrile, encapsulated or solid PTFE options available)
Standard Micron Ratings (µm):	5, 10, 25, 50 (nominal)
Process connections:	Clamp, Plain ended, RJT, IDF, DIN, SMS, BSP and flanged options available
Standard Connection Sizes:	1 ½", 2", 2 ½", 3" (other sizes available on request)
Clamp Closure:	316 Stainless Steel safety clamp fitted as standard to enhance plant safety.
Options:	Filters can be customised to meet customer requirements, including the addition of drain ports, jacketed options, multiplex systems
Notes:	Dimension Tolerance: ±10mm Flow rate will depend on size, loading and pressure drop
Available certification:	
Full materials certification, weld maps, logs, welder qualifications and weld procedures, pressure testing, surface finish, radiography, passivation and ferroxyl certification.	

D8457-V03/ECN3049

CUSTOMISED STAINLESS STEEL SYSTEMS, FABRICATIONS AND COMPONENTS

Axium Process Ltd

Hendy Industrial Estate, Hendy, Swansea, UK SA4 0XP

Tel: +44 (0) 1792 883882

Fax: +44 (0) 1792 886049

Email: info@axiumprocess.com

Web: www.axiumprocess.com



FS 83081

All data is provided in good faith and is subject to change