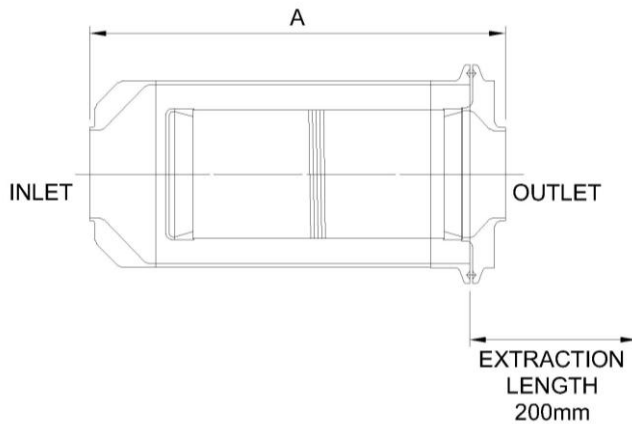


8406 - Pure Screen Compact Filter - 100 Series - Straight Through



WEDGE WIRE AREA	
Screen Length (cm)	16.75
Screen dia. (cm)	7
Total Filter Area (cm ²)	368
Micron Rating (µm)	Open area (cm ²)
10	5
25	9
50	18
100	34
250	74
500	92
1,000	147
2,000	194
3,000	230
6,000	283

Nominal Size	Plain Ended	Clamp	RJT (M/M)	DIN (M/M)	IDF (M/M)	SMS (M/M)
Dimension	A	A	A	A	A	A
1"	258	300	302	316	300	288
1 1/2"	258	300	302	324	300	298
2"	258	300	302	328	300	298
2 1/2"	258	314	302	338	300	306
3"	258	314	302	348	300	306
4"	258	314	302	366	318	318

Technical Data	
Material	316L Stainless Steel contact parts
Finish	0.8µm Ra (external) / 0.4µm Ra (internal), other surface finishes available
Flow Rates:	Up to 20,000 l/hr at 1 Bar ΔP with pure water, depending on size, loading and pressure drop
Pressures:	Up to 10 bar operating pressure / 5 bar backflushing pressure Recommended maximum ΔP 4 bar
Operating Temperature:	Up to 250°C, dependant upon cap seal material
Cap Seal:	Viton® as standard (EPDM, silicone, nitrile, encapsulated or solid PTFE options available)
Standard Micron Ratings (µm):	50, 100, 250, 500, 1000, 2000 (nominal)
End Connection:	Clamp / Plain ended ex-stock (RJT, IDF, DIN, SMS, BSP and Flanged options available)
Standard Connection Sizes:	1 1/2", 2", 2 1/2", 3" (other sizes available on request)
Clamp Closure:	316 Stainless Steel safety clamp fitted as standard to enhance plant safety.
Options:	Filters can be customised to meet customer requirements, including the addition of drain ports, jacketed options, multiplex systems
Notes:	Dimension Tolerance: ±10mm Flow rate will depend on size, loading and pressure drop
Available certification:	
Full materials certification, weld maps, logs, welder qualifications and weld procedures, pressure testing, surface finish, radiography, passivation and ferroxyl certification.	

D8406-V04/ECN3049

CUSTOMISED STAINLESS STEEL SYSTEMS, FABRICATIONS AND COMPONENTS

Axium Process Ltd

Hendy Industrial Estate, Hendy, Swansea, UK SA4 0XP

Tel: +44 (0) 1792 883882

Fax: +44 (0) 1792 886049

Email: info@axiumprocess.com

Web: www.axiumprocess.com



All data is provided in good faith and is subject to change