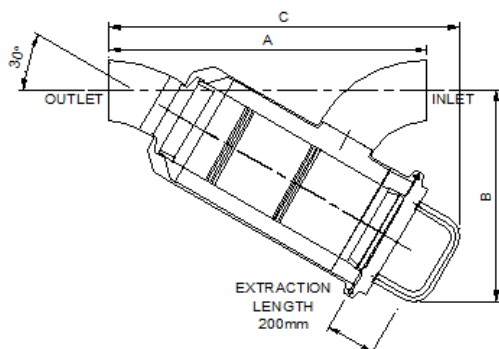


## 8404 - Pure Screen Compact Filter – 100 Series – In-line



WEDGE WIRE AREA	
Screen Length (cm)	16.75
Screen dia. (cm)	7
Total Filter Area (cm <sup>2</sup> )	368
Micron Rating (µm)	Open area (cm <sup>2</sup> )
50	18
100	34
250	74
500	92
1,000	147
2,000	194

Nominal Size	Plain Ended			Clamp			RJT (M/M)			DIN (M/M)			IDF (M/M)			SMS (M/M)		
	A	B	C	A	B	C	A	B	C	A	B	C	A	B	C	A	B	C
1"	207	176	274	251	176	296	251	176	296	265	176	303	251	176	296	237	176	289
1 ½"	229	179	284	273	179	306	273	179	306	295	179	317	273	179	306	269	179	304
2"	263	187	302	307	187	324	307	187	324	333	187	337	307	187	324	303	187	322
2 ½"	302	206	340	346	206	362	346	206	362	382	206	380	346	206	362	350	206	364
3"	340	215	362	384	215	384	384	215	384	430	215	407	384	215	384	388	215	386
4"	415	234	404	459	234	426	459	234	426	523	234	458	475	234	434	475	234	434

Technical Data	
Material:	316L Stainless Steel contact parts
Finish:	0.8µm Ra (external) / 0.4µm Ra (internal), other surface finishes available
Flow Rates:	Up to 20,000 l/hr at 1 Bar ΔP with pure water, depending on size, loading and pressure drop
Pressures:	Up to 10 bar operating pressure / 5 bar backflushing pressure Recommended maximum ΔP 4 bar
Operating Temperature:	Up to 250°C, dependent upon cap seal material
Cap Seal:	Viton® as standard (EPDM, silicone, nitrile, encapsulated or solid PTFE options available)
Standard Micron Ratings (µm):	50, 100, 250, 500, 1000, 2000 (nominal)
Process connections:	Clamp, Plain ended, RJT, IDF, DIN, SMS, BSP and flanged options available
Standard Connection Sizes:	1 ½", 2", 2 ½", 3" (other sizes available on request)
Clamp Closure:	316 Stainless Steel safety clamp fitted as standard to enhance plant safety.
Options:	Filters can be customised to meet customer requirements, including the addition of drain ports, jacketed options, multiplex systems
Notes:	Dimension Tolerance: ±10mm Flow rate will depend on size, loading and pressure drop
Available certification:	
Full materials certification, weld maps, logs, welder qualifications and weld procedures, pressure testing, surface finish, radiography, passivation and ferroxyl certification.	

D8404-V04/ECN3049

### CUSTOMISED STAINLESS STEEL SYSTEMS, FABRICATIONS AND COMPONENTS

#### Axium Process Ltd

Hendy Industrial Estate, Hendy, Swansea, UK SA4 0XP

Tel: +44 (0) 1792 883882

Fax: +44 (0) 1792 886049

Email: info@axiumprocess.com

Web: www.axiumprocess.com



FS 83081

All data is provided in good faith and is subject to change